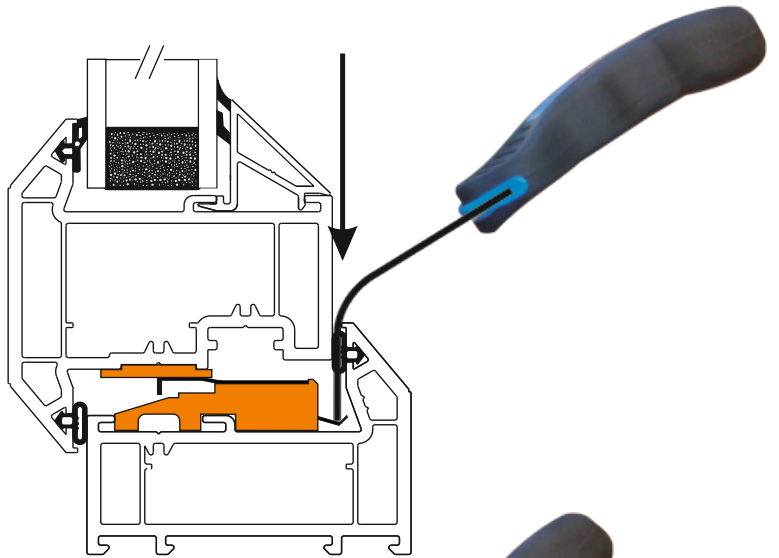
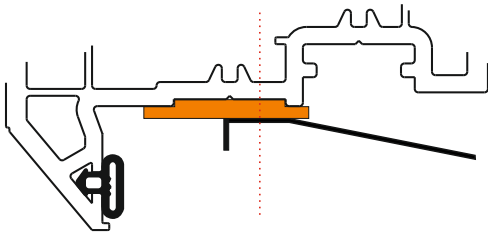
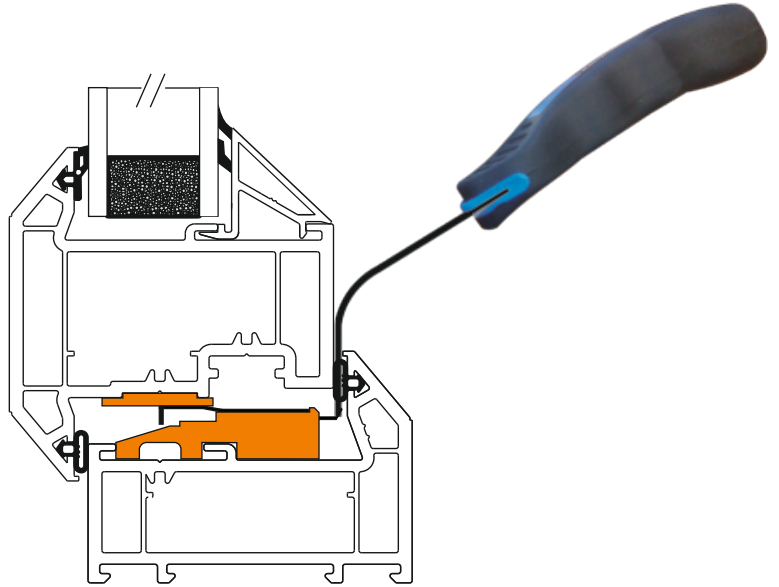
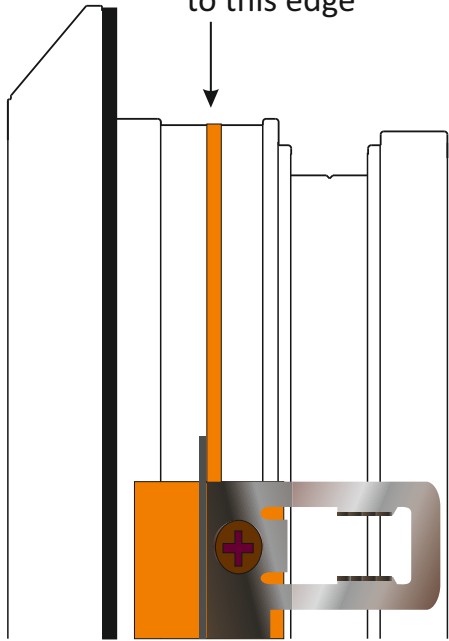


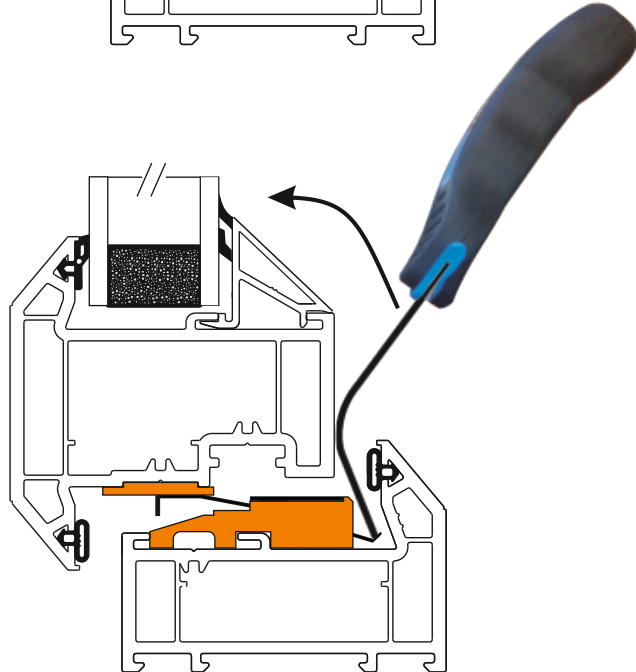
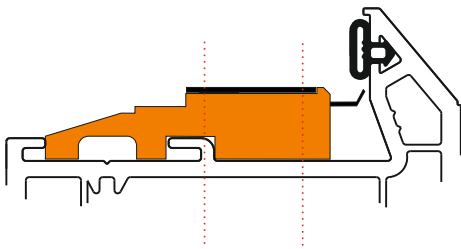
Shield 70

(Part No. DSP11W)

Fit Sash Packer dowel
to this edge



Screw centres



Drawings are not to scale

Reinforcing and fixing screws
have been omitted for clarity



MADE IN THE UK

Patent No. GB2445676B



BBA APPROVAL
INSPECTION
TESTING
& CERTIFICATION
CERTIFICATE 157 5254